

> HGP

AIR - WATER HEAT PUMPS FOR INDOOR INSTALLATION

Available range

Unit type

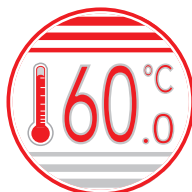
IP Reversible heat pump
(reversible on the refrigerant side)

Versions (heat recovery)

VB Base version
VD Desuperheater version

Acoustic setting up

AB Base setting up
AS Low noise setting up



Unit description

This series of **air-water** heat pumps satisfies the heating, cooling and domestic hot water production requirements of autonomous or centralized residential plants of medium and large size.

All the units are suitable for indoor installation and can be applied to **fan coil** plants, **radiant** floor plants and high efficiency **radiators** plants.

The control system allows to manage not only the refrigerant circuit but the whole plant with the possibility to choose different solutions both for the heating and cooling plant and for the domestic hot water management. The possibility of solar panels or other heating sources integration is also available.

The **heating** function optimizes the flow water temperature according both to the ambient temperature and to the outdoor temperature through climatic curves adaptable to the building features. It's possible to manage a storage tank and two independent circuits (a direct one and a mixed one).

The **domestic hot water** management allows to control the three way valve, the storage tank and the anti-legionella cycles (if necessary).

The **cooling** function can be realized through "active cooling" (refrigerant circuit inversion). When the unit is used in radiant floor plants, to avoid condensate generation, a room humidity sensor can be installed. During cooling mode operation a part of the heating power in excess can be recovered for the domestic hot water production (VD version).

The **internal programmer clock** allows

to define different daily switching programs for heating, cooling and domestic hot water production.

The refrigerant circuit, contained in a box repaired from the air flow to simplify the maintenance operations, is equipped with two scroll compressors mounted on damper supports, brazed plate heat exchangers, electronic expansion valve, reverse cycle valve, centrifugal fans (plug fans), finned coil realized with copper pipes and aluminium fins. The circuit is protected by high and low pressure switches and flow switches on the plate heat exchanger.

The compressors are arranged in tandem on a single refrigerant circuit and allow the capacity modulation according to the plant requests in order to guarantee a high seasonal efficiency.

The plate heat exchanger and all the hydraulic pipes are thermally insulated in order to avoid condensate generation and reduce thermal losses.

The plug fans with electronic control of the rotational speed guarantee high efficiencies and low noise in all the operating conditions and allow to install the unit indoor (with ducted air inlet and outlet). It is moreover possible to reduce the noise level during the night.

All the units are provided with a phase sequence and correct sequence controller device and with an outdoor temperature sensor in order to realize the climatic control.

All the units are accurately built and individually tested in the factory. Only electric and hydraulic connections are required for installation.

Options

Plant side flow rate management

- not present
- standard pump
- high head pump
- modulating pump
- high efficiency pump

Domestic hot water production

- not present
- 3 way valve

Soft starter

- not present
- standard

Accessories

Rubber vibration dampers

Spring vibration dampers

Coil protection grilles

Remote thermostat (wired or wireless)

Remote control (wired or wireless)

Wireless transmitter

Wireless repeater

Condensate sensor

Room hygrostat

Room humidity sensor

CONTROL SYSTEM

The microprocessor controller is able to manage not only the unit itself but also all that components of the plant which allow to realize a complete system.

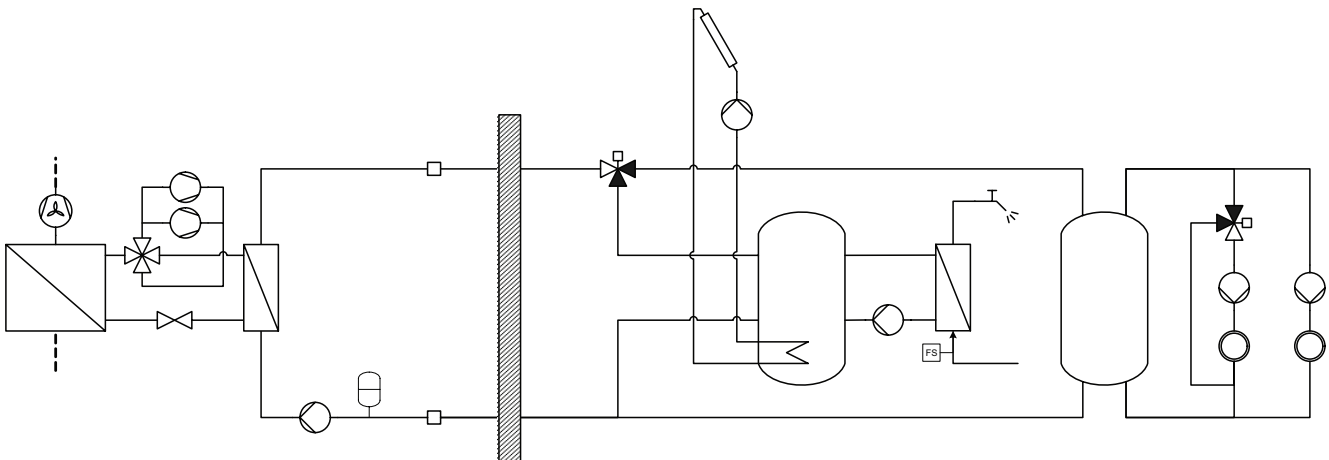
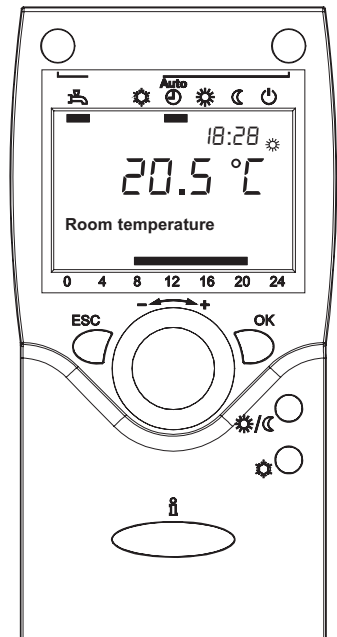
The main **functions** of the control system are :

- room temperature control according to the outdoor temperature (climatic control)
- domestic hot water production (management of 3 way valve, storage tank, anti legionella cycles...)
- management of a heating and/or cooling mixed circuit (pump and 3 way mixing valve)
- management of a heating direct circuit (only pump)
- management of a storage tank for heating and/or cooling
- management of electrical heaters for heating and domestic hot water (3 steps logic)
- solar panels integration
- room humidity control for cooling with radiant systems
- internal programmer clock (for heating, cooling and domestic hot water)
- digital input for electrical energy low tariff
- alarm memory management and diagnostic
- compressor and pump operating hour counter
- possibility to manage more units in cascade (maximum 16)

Besides the standard user interface to be placed indoor, wired or wireless remote thermostats are available which allow to control all the operating parameters of the unit and to acquire the temperature in the different zones in order to realize a more precise and comfortable control.

The unit controller is able to manage a lot of different plant solutions enabling automatically the necessary control algorithms according to the components which have been connected.

The management of such components is possible through additional expansion modules which communicate with the unit by means of an internal bus and provide all the inputs and outputs required to fulfil a complete system.



The controller is able to manage up to **two zones in heating** (one by means of a mixed circuit and the other by means of a direct circuit) and **one zone in cooling** (by means of a mixed circuit).

It's possible to realize more complex plants connecting to the heat pump controller further expansion modules in order to extend without limits the number of zones to be managed.

For each zone the following parameters can be set :

- set point
- daily or weekly operating time table
- climatic control curve
- room control sensor : it can be in common with the other zones or independent (in that case it's necessary to install an additional room thermostat)

AERUALIC performances	45.2	55.2	65.2	75.2	85.2	95.2	
Nominal air flow rate	17600	17600	26400	26400	35200	35200	m ³ /h
Nominal available static head	150	150	150	150	150	150	Pa

OPERATING LIMITS	Unit type	Cooling		Heating		
		min	max	min	max	
Outdoor air inlet temperature	IP	5	45	-20	42	°C
Water outlet temperature	IP	6	25	30	60	°C

NOMINAL performances - Radiant plants

IP	Acoustic setting up : AB and AS	45.2	55.2	65.2	75.2	85.2	95.2	
A7W35	Heating capacity	48,2	55,4	65,2	72,9	82,2	95,8	kW
	Power input	10,3	11,9	14,0	15,7	17,7	20,7	kW
	COP	4,68	4,66	4,66	4,64	4,64	4,63	-
	Water flow rate plant side	8313	9559	11257	12573	14183	16538	l/h
	Pressure drops plant side	20	20	22	22	20	20	kPa
A2W35	Heating capacity	40,0	46,0	54,1	60,5	68,3	79,6	kW
	Power input	10,1	11,7	13,7	15,4	17,3	20,3	kW
	COP	3,96	3,93	3,95	3,93	3,95	3,92	-
	Water flow rate plant side	6910	7949	9352	10443	11793	13750	l/h
	Pressure drops plant side	14	15	16	16	14	14	kPa
A35W18	Cooling capacity	50,9	58,7	69,0	77,1	87,0	102,0	kW
	Power input	13,2	15,3	18,1	20,2	22,7	26,7	kW
	EER	3,86	3,84	3,81	3,82	3,83	3,82	-
	Water flow rate plant side	8811	10156	11949	13345	15052	17570	l/h
	Pressure drops plant side	23	23	25	25	22	22	kPa

NOMINAL performances - Standard plants

IP	Acoustic setting up : AB and AS	45.2	55.2	65.2	75.2	85.2	95.2	
A7W45	Heating capacity	46,9	54,1	63,7	71,1	80,2	93,6	kW
	Power input	12,5	14,5	17,0	19,0	21,4	25,1	kW
	COP	3,75	3,73	3,75	3,74	3,75	3,73	-
	Water flow rate plant side	8133	9367	11036	12322	13903	16215	l/h
	Pressure drops plant side	19	20	21	22	19	19	kPa
A2W45	Heating capacity	38,8	44,7	52,6	58,7	66,3	77,4	kW
	Power input	12,3	14,3	16,7	18,7	21,0	24,8	kW
	COP	3,15	3,13	3,15	3,14	3,16	3,12	-
	Water flow rate plant side	6726	7751	9124	10184	11505	13417	l/h
	Pressure drops plant side	14	14	15	15	14	14	kPa
A35W7	Cooling capacity	38,7	44,6	52,5	58,6	66,1	77,1	kW
	Power input	12,2	14,1	16,6	18,6	20,9	24,6	kW
	EER	3,17	3,16	3,16	3,15	3,16	3,13	-
	Water flow rate plant side	6659	7671	9027	10074	11361	13266	l/h
	Pressure drops plant side	14	14	15	15	13	14	kPa

NOMINAL performances - HIGH temperature plants

IP	Acoustic setting up : AB and AS	45.2	55.2	65.2	75.2	85.2	95.2	
A7W55	Heating capacity	45,1	51,9	61,2	68,4	77,1	90,0	kW
	Power input	14,4	16,7	19,7	22,1	24,8	29,0	kW
	COP	3,13	3,11	3,11	3,10	3,11	3,10	-
	Water flow rate plant side	4914	5655	6658	7442	8390	9796	l/h
	Pressure drops plant side	8	8	9	9	8	8	kPa
A2W55	Heating capacity	37,0	42,5	50,1	56,0	63,1	73,6	kW
	Power input	14,3	16,5	19,4	21,8	24,5	28,7	kW
	COP	2,59	2,58	2,58	2,57	2,58	2,56	-
	Water flow rate plant side	4032	4631	5459	6102	6876	8020	l/h
	Pressure drops plant side	5	5	6	6	5	5	kPa

Data declared according to **EN 14511**. The values are referred to units without options and accessories.

A7W65 = source : air in 7°C d.b. 6°C w.b. / plant : water in 55°C out 65°C
 A7W55 = source : air in 7°C d.b. 6°C w.b. / plant : water in 47°C out 55°C
 A7W45 = source : air in 7°C d.b. 6°C w.b. / plant : water in 40°C out 45°C
 A7W35 = source : air in 7°C d.b. 6°C w.b. / plant : water in 30°C out 35°C
 A35W7 = source : air in 35°C d.b. / plant : water in 12°C out 7°C
 A35W18 = source : air in 35°C d.b. / plant : water in 23°C out 18°C

A2W65 = source : air in 2°C d.b. 1°C w.b. / plant : water in 55°C out 65°C
 A2W55 = source : air in 2°C d.b. 1°C w.b. / plant : water in 47°C out 55°C
 A2W45 = source : air in 2°C d.b. 1°C w.b. / plant : water in 40°C out 45°C
 A2W35 = source : air in 2°C d.b. 1°C w.b. / plant : water in 30°C out 35°C

TECHNICAL DATA	45.2	55.2	65.2	75.2	85.2	95.2	
Power supply	400 - 3 - 50						V-ph-Hz
Compressor type	scroll						-
N° compressors / N° refrigerant circuits	2 / 1						n°
Plant side heat exchanger type	stainless steel brazed plates						-
Source side heat exchanger type	finned coil						-
Fans type	plug fan						-
N° fans	2		3		4		n°
Hydraulic fittings	2" M						-
Hydraulic fittings heat recovery (VD)	1" 1/4 M						-
Weight *	715	750	905	915	1065	1080	kg
Maximum power input *	24,4	27,0	31,6	34,0	41,2	46,4	kW

* base unit without options and accessories

ACOUSTIC PERFORMANCES

Base acoustic setting up (AB)	45.2	55.2	65.2	75.2	85.2	95.2	
Sound power level	80	80	81	81	82	82	dB(A)
Sound pressure level at 1 metre	63	63	64	64	64	64	dB(A)
Sound pressure level at 5 metres	54	54	54	55	55	56	dB(A)
Sound pressure level at 10 metres	48	49	49	50	50	51	dB(A)
Low noise acoustic setting up (AS)	45.2	55.2	65.2	75.2	85.2	95.2	
Sound power level	77	77	78	78	79	79	dB(A)
Sound pressure level at 1 metre	60	60	61	61	61	61	dB(A)
Sound pressure level at 5 metres	51	51	51	52	52	53	dB(A)
Sound pressure level at 10 metres	45	46	46	47	47	48	dB(A)

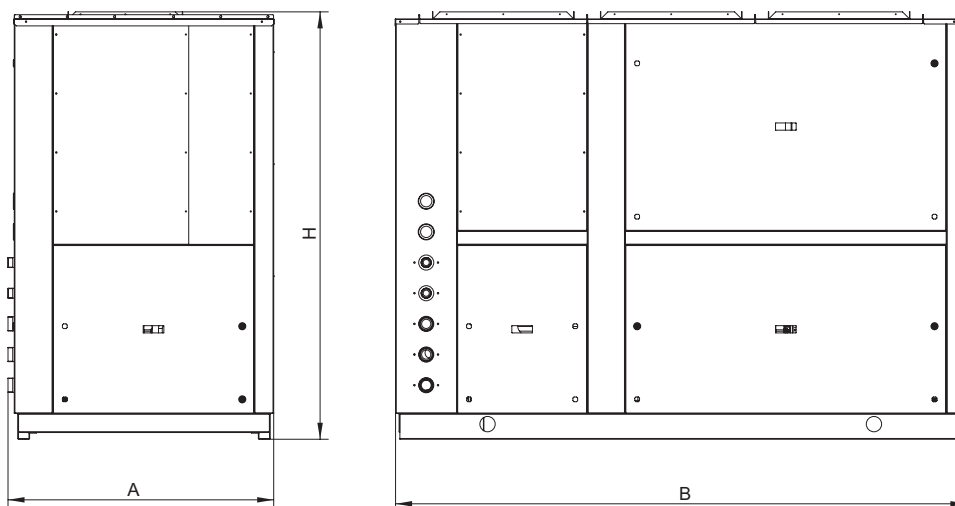
The acoustic performances are referred to units operating in cooling mode at nominal conditions A7W35.

Unit placed in free field on reflecting surface (directional factor equal to 2).

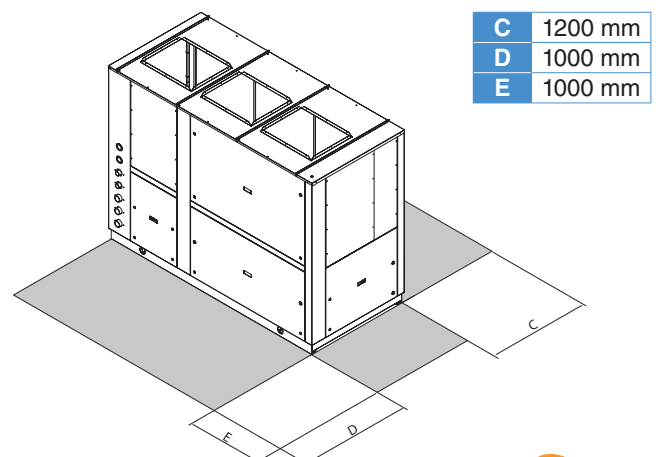
The sound power level is measured according to ISO 3744 standard.

The sound pressure level is calculated according to ISO 3744 and is referred to a distance of 1/5/10 metres from the external surface of the unit.

DIMENSIONS AND MINIMUM OPERATING AREA



Respect the free area around the unit as shown in figure in order to guarantee a good accessibility and facilitate maintenance and control operations.



	45.2 - 55.2	65.2 - 75.2	85.2 - 95.2	
A	1130	1130	1130	mm
B	1710	2430	3130	mm
H	1810	1810	1810	mm