

Ferroli



Gas Water Heater

Instantaneous



GAS WATER HEATER

Efficient and Eco-friendly / Beautiful and Smart / Easy and Robust

EFFICIENT AND ECO-FRIENDLY

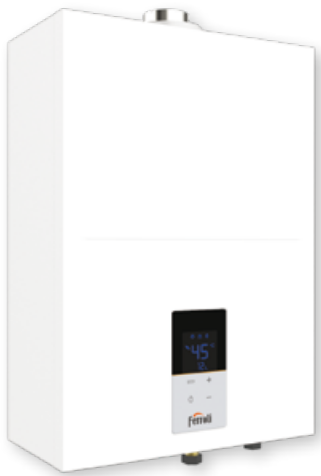
Ferrolli's gas water heater are designed in accordance with the stringent efficiency European rules. They are able to produce a lot of water in a limited cost and very low atmospheric emissions. They can operate integrated in a thermal solar system to get the maximum efficiency and the best comfort.

BEAUTIFUL AND SMART

Our gas water heaters are designed to be easy to insert in line with the modern style of interior architecture. All controls, whether touch, button, or knob type, are extremely easy to use and understand for anyone. All the models in the range are equipped with an interface display to increase the user experience.

EASY AND ROBUST

All the Ferrolli's water heaters are extremely easy to install and have been studied to facilitate the replacement with the last series. The quality of the components and the production system, are the guarantee of a long service of life and the mechanistic performance of the device. They are very compact but every internal components of the gas water heater are easily accessible for maintenance.



KONA

INSTANTANEOUS, SEALED COMBUSTION CHAMBER AND FORCED DRAUGHT

12 l/min - 15 l/min - 17 l/min

ErP Class A

Upload profile XL

NOx class 6 (in according to the EN 1515502)

For indoor or partially protected installation



PEGASO ECO

INSTANTANEOUS, OPEN CHAMBER AND NATURAL DRAUGHT

11 l/min - 14 l/min

ErP Class A

Upload profile M

NOx class 6 (in according to the EN 1515502)

For indoor installation



LARGE POWER MODULATION

High efficiency and comfort level

Ferrol's water heaters are able to modulate the combustion in according of the inlet and outlet water temperature.

The maximum ratio from the top to the minimum thermal output is **1/8**.

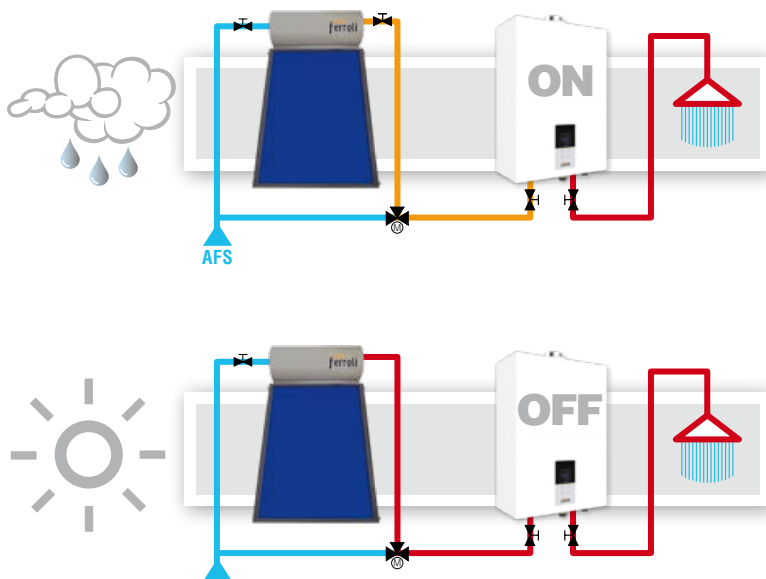
In this way Ferrol can guarantee the best stability of the hot water temperature and the best comfort for the user.

SUN EASY

Easy... Cheap... Genius

Pegaso Eco and Kona were designed to be easily integrated with solar thermal system.

The solar system water temperature is constantly monitored. The water heater only starts if the water is not hot enough.



In case of insufficient solar irradiation and therefore a preheating modest water, the water heater will help with the heat needed to reach the required setpoint temperature.

If the sun and the solar system work at full speed, the water heater stay off. The hot water will be conveyed to the tap, without the need for additional devices, with the mixing of thermostatic valves.

To reach the desired temperature, SUN EASY function allow an important energy saving also during the cool season, using and integrating every smallest solar contribution.

ECO

Comfort and Savings

The ECO function is able to set the hot water temperature on 42°C and the output thermal power on 80%.

An ideal level to get the maximum comfort and the user safety.

Every parameters of the ECO function are modifiable in according with the user habits.

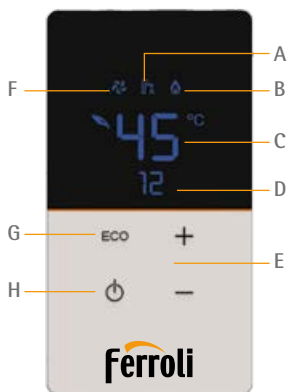
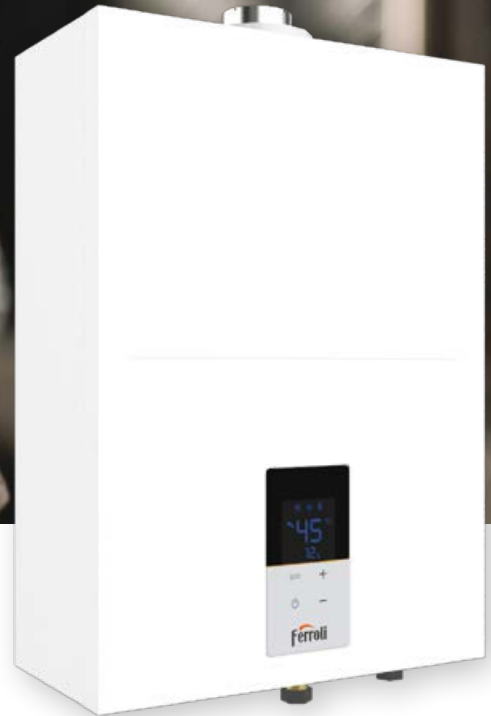


KONA

ERP

Instantaneous gas water heater, sealed combustion chamber and forced draught. Low NOx type

- Copper exchanger
- For internal and external installation (external in places partially protected)
- Antifreeze function with a kit of resistance supplied as a optional (start level 5°C)
- Interface with display and setting with touch comand
- Output thermal power modulating
- Can run with natural gas and LPG
- Low NOx burner - Class 6
- Can operate integrated in a thermal solar system
- ECO function

**KEY**

- A** Burner On
- B** Hot water request
- C** Outside water temperature
- D** Water flow rate
- E** Parameters setting
- F** Fan On
- G** ECO Function
- H** On / Off

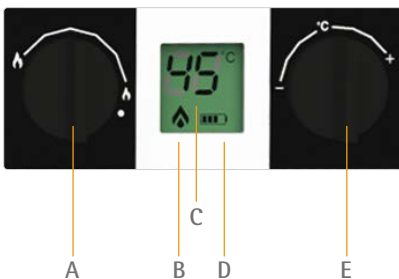
KONA			12	15	17
ERP class			A	A	A
Upload profile			XL	XL	XL
Inlet thermal power	Max	kW	23	29,7	33
Outlet thermal power	Max / Min	kW	20,9/3,6	27/3,6	30/3,6
NOx Class (in according with EN 15502)			6	6	6
Working maximum water pressure		bar	10	10	10
Maximum DHW outlet	Δt 25°C	l/min	12	15,5	17
	Δt 30°C	l/min	10	12,9	14,3
DHW temperature setting	Min / Max	°C	40 / 65	40 / 65	40 / 65
Empty weight		Kg	13,7	14,5	14,5
Electrical power		V/Hz	230 / 50	230 / 50	230 / 50

PEGASO ECO



Instantaneous gas water heater, open chamber and natural draught. Low NOx type




- Copper exchanger
- For internal installation
- Interface with display
- Modulating outlet thermal power
- Can operate with natural gas or LPG
- Compatible with the thermal solar systems



KEY

- A** Power setting
- B** Burner On
- C** Outside water temperature
- D** Electrical batteries level
- E** Temperature setting - On / Off



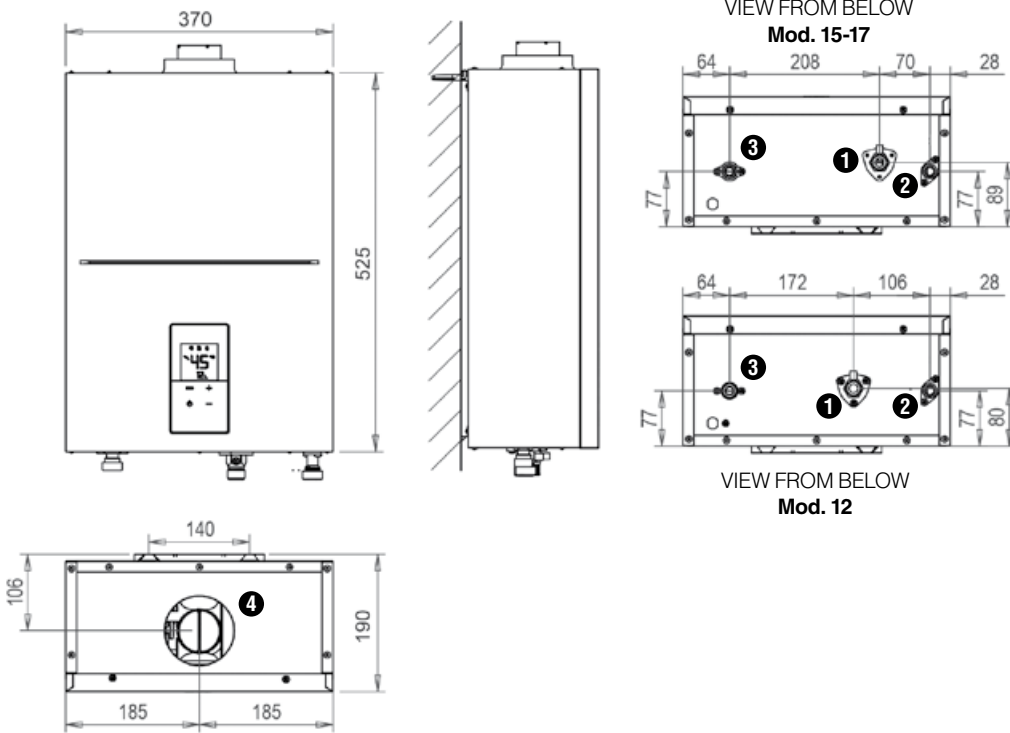
PEGASO ECO			11	14
ERP class				
Upload profile			M	M
Inlet thermal power	Max	kW	21,1	26,8
Outlet thermal power	Max / Min	kW	18,9/7,0	23,8/9,3
NOx Class (in according with EN 15502)			6	6
Working maximum water pressure		bar	10	10
Maximum DHW outlet	Δt 25°C	l/min	10,8	13,6
	Δt 30°C	l/min	9	11,4
DHW temperature setting	Min / Max	°C	40 / 65	40 / 65
Empty weight		Kg	9,5	13,5
Electrical power		V/Hz	Pila	Pila



DIMENSIONS DATA SHEET

Technical draws

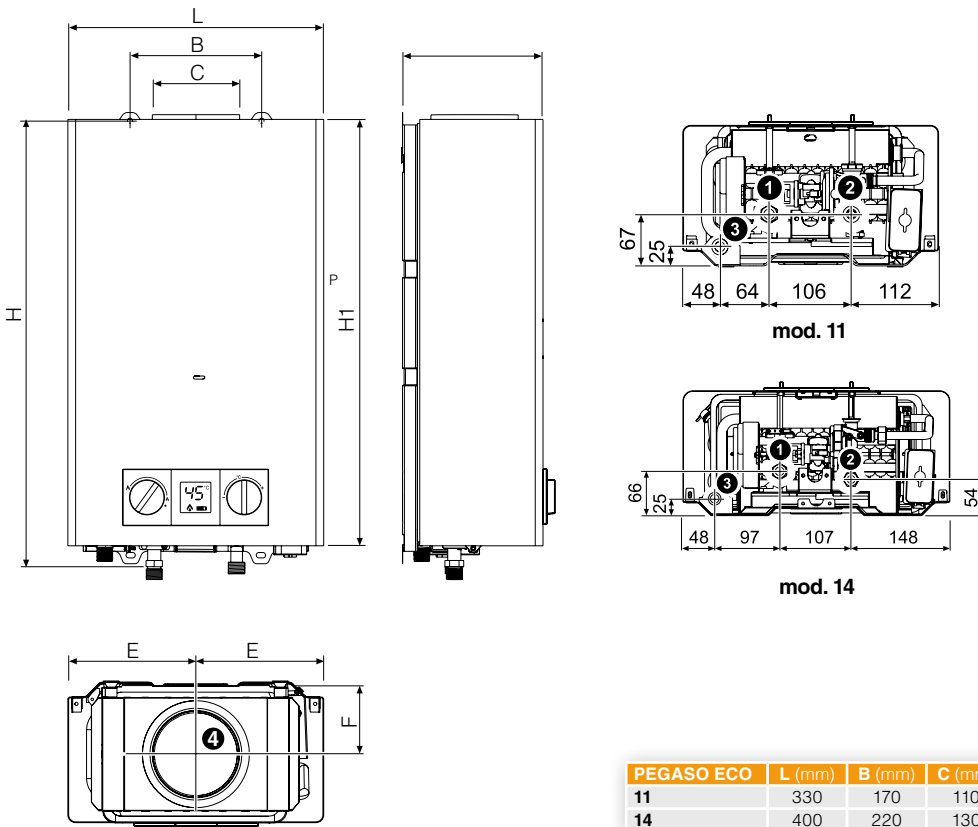
KONA



KEY

- 1 Gas inlet \varnothing 1/2'
- 2 Cool water inlet \varnothing 1/2'
- 3 Hot water outlet \varnothing 1/2'
- 4 Flue gas outlet:
Coassial type \varnothing 60/100 mm /
Splitted type \varnothing 80 mm

PEGASO ECO



KEY

- 1 Gas inlet \varnothing 1/2'
- 2 Cool water inlet \varnothing 1/2'
- 3 Hot water outlet \varnothing 1/2'
- 4 Flue gas outlet:
mod. 11 \varnothing 110 mm /
mod. 14 \varnothing 130 mm

PEGASO ECO	L (mm)	B (mm)	C (mm)	P (mm)	E (mm)	F (mm)	H (mm)	H1 (mm)
11	330	170	110	180	165	91	550	575
14	400	220	130	187	200	93	650	678



NOTES

A series of horizontal dotted lines spanning the width of the page, intended for handwritten notes.



NOTICE FOR SALES AGENTS:

In view to constantly improve its production range and customer satisfaction levels, the Company hereby specifies that aesthetic and/or dimensional features, specifications and accessories may be subject to changes.

Please place the utmost care to ensure all technical and/or sales documents (lists, catalogues, brochures, etc.) provided to the final Customer are updated according to the latest edition.

Ferroli spa

37047 San Bonifacio (VR) Italy - Via Ritonda 78/A

tel. +39.045.6139411

fax +39.045.6100233

www.ferroli.com

export@ferroli.com