

MAXIMUM
16 bar
OPERATING PRESSURE

PROTEO

Aluminium Radiator



Exclusive design for maximum operating pressure

Warranty
10
year

CE₁₂

- **Maximum operating pressure: 16 bar**
- **Enhanced heat emitting power**

ferroli

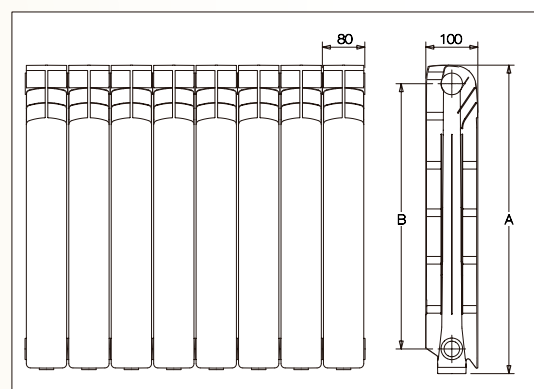
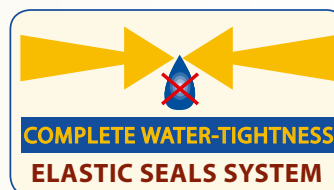
www.ferroli.es

PROTEO

Aluminium radiator

PERFORMANCE

- Pleasant appearance**
 Its studied design provides it with modern aesthetics, making the use of radiator covers unnecessary, which would otherwise force the installation to be remodelled.
- Maximum duration**
 The special corrosion resistant alloy used in its manufacturing and a controlled manufacturing process makes them likely to last as long as your house.
- Complete water-tightness**
 Our exclusive elastic seals system between elements ensures proper water-tightness indefinitely. Maximum operating pressure: 6 bar.
- Perfect finish**
 They are supplied individually painted with polymerised epoxy resin, which provides them with a beautiful and lasting finish, assembled in sets of 2 to 12 elements and protected with a thick retractable plastic cover and side cardboard protection.
- Reduced space**
 The high thermal transmission power of the aluminium and the advanced design of the element allow it to achieve a high emission with limited batteries.



Do not isolate the radiator from the installation completely, unless it is equipped with automatic air purging. Do not isolate the whole installation in centralised installations if there are no safety elements.

TECHNICAL DETAILS PROTEO

CHARACTERISTICS			PROTEO 450	PROTEO 800
Thermal emission UNE EN 442	$\Delta T = 50^{\circ} C$	W	92	161
		kcal/h	79.1	138.5
	$\Delta T = 60^{\circ} C$	W	117.2	207.1
		kcal/h	100.8	178.1
Exponent n			1.30565	1.35387
Km			0.5587	0.81053
Water Content		litres	0.31	0.5
Dimensions	A	mm	431	781
	B		350	700
Connections		Ø Inches	1"	1"

DISTRIBUTED BY:



MORE INFORMATION: www.ferrolí.es - Tel: 00 34 91 661 23 04 - marketing@ferrolí.es