

2020

www.venma.eu



PRODUCT CATALOGUE

valid from 01.05.2020



VENMA



39-205 Pustków
Pustków 385b



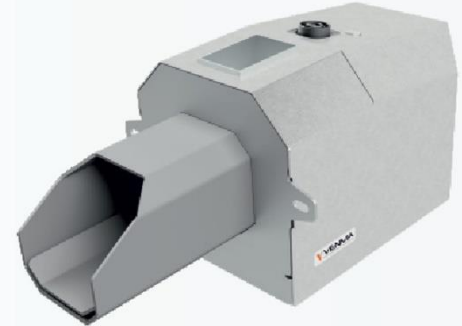
+48 14 658 42 00
+48 608 094 185
+48 662 933 989



biuro@venma.eu

VENMA COMFORT BURNERS

BURNER MODEL	RATED POWER	ST-7111 CONSOLE MOUNT NET PRICE*	ST-976 NET PRICE*
VENMA COMFORT 10	3-10 KW		
VENMA COMFORT 16	4-16 KW		
VENMA COMFORT 25	5-25 KW		
VENMA COMFORT 35	6-35 KW		
VENMA COMFORT 46	10-46 KW		
VENMA COMFORT 58	12-58 KW		
VENMA COMFORT 70	15-70 KW		
VENMA COMFORT 85	20-85 KW		
VENMA COMFORT 100	25-100 KW		
VENMA COMFORT 125	35-125 KW		
VENMA COMFORT 150	40-150 KW		

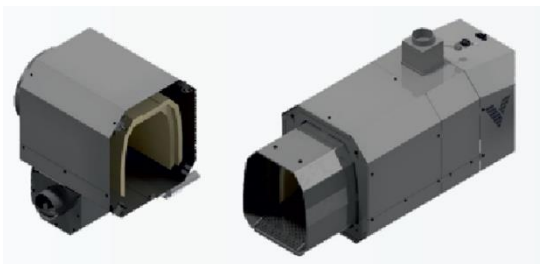


INCLUDED IN PRICING:

- ✓ Burner with mechanical combustion chamber ash removal system
- ✓ Fire damper
- ✓ Flex pipe
- ✓ Max. 2 m long fuel feeder assy
- ✓ Control unit*



BURNER MODEL	RATED POWER	ST-976 NET PRICE*	ASH REMOVAL SYSTEM (optional accessory)
VENMA COMFORT 200	65-200 KW		
VENMA COMFORT 250	90-250 KW		
VENMA COMFORT 300	120-300 KW		
VENMA COMFORT 400	150-400 KW		
VENMA COMFORT 500	200-500 KW		

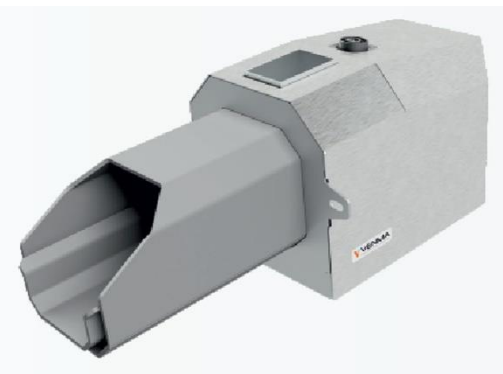


INCLUDED IN PRICING:

- ✓ Burner with mechanical combustion chamber ash removal system
- ✓ Fire damper
- ✓ Flex pipe
- ✓ Fuel feeder assy, max. 2 m (for 100 kW-125 kW burners) or 3 m long (for 150 kW-500 kW burners)
- ✓ Control unit*
- ✓ Ceramic seals included

VENMA IGNIS BURNERS

BURNER MODEL	RATED POWER	ST-7111 CONSOLE MOUNT NET PRICE*	ST-976 NET PRICE*
VENMA IGNIS 25	6-25 KW		
VENMA IGNIS 35	7-35 KW		
VENMA IGNIS 46	12-46 KW		
VENMA IGNIS 70	15-70 KW		
VENMA IGNIS 100	30-100 KW		
VENMA IGNIS 150	45-150 KW		



INCLUDED IN PRICING:

- ✓ Burner with pneumatic combustion chamber ash removal system
- ✓ Fire damper
- ✓ Flex pipe
- ✓ 2 m long fuel feeder assy
- ✓ Control unit*

VENMA reserves the right to modify the pricing of listed products without prior notice. The pricing of optional accessories is listed in the VENMA Spare Parts Price List.

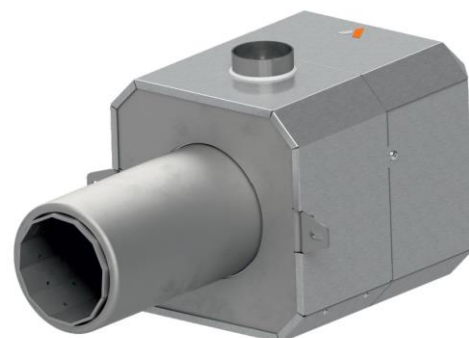


ST-976 CONTROL UNIT SPECIFICATIONS

ST-7111 CONTROL UNIT SPECIFICATIONS

Fieldbus: full-colour touchscreen display	Console: graphic display
11 x sensor input	6 x sensor input
1 x thermal cut-out input	1 x thermal cut-out input
230 V outputs: 4 x circulation pumps (including CH pump, DHW pump + 2 pumps with selectable control algorithm); 1 x valve (expandable to 3 valves with the i-1M modules)	230 V outputs: CH pump and DHW pump (expandable by 1 valve with the i-1M module)
1 x on/off controller input	1 x on/off controller input
2 x RS input	2 x RS input
Included: 2 x pump wiring harness; 4 x temp. sensor; 1 x thermal cut-out	Included: 2 x pump wiring harness; 3 x temp. sensor; 1 x thermal cut-out

BURNER MODEL	NOMINAL OUTPUT	NET PRICE	NET PRICE *ST-976 G COG
VENMA Comfort S 20	6–20 KW		
VENMA Comfort S 26	8–26 KW		
VENMA Comfort S 35	12–35 KW		



ST-976 G COG controller specifications

Communication bus – basic graphic display (CO1)
Inputs: 11 sensors
Termika input: 1 pc
230 V inputs – 4 pumps, including a CH pump, a DHW pump and two pumps with operation algorithm selection. 1 valve (can be extended to 3 valves with additional I-1M modules)
Binary controller input – 1 pc
RS inputs – 2 pcs
Set includes: CH sensor and DHW sensor

PRICE INCLUDES:

- ▼ burner with rotary combustion chamber
- ▼ sprio pipe
- ▼ complete feeder, 2 lm
- ▼ * controller

ADDITIONAL OPTION:

- ▼ fire protection flap

VENMA PELLET CONTAINER

300 L	600 L	1,200 L



Możliwość wykonania zasobnika na zamówienie/ Ability to perform container on request
 Możliwość malowania zasobników kolorami RAL/ Option painting container



www.venma.pl